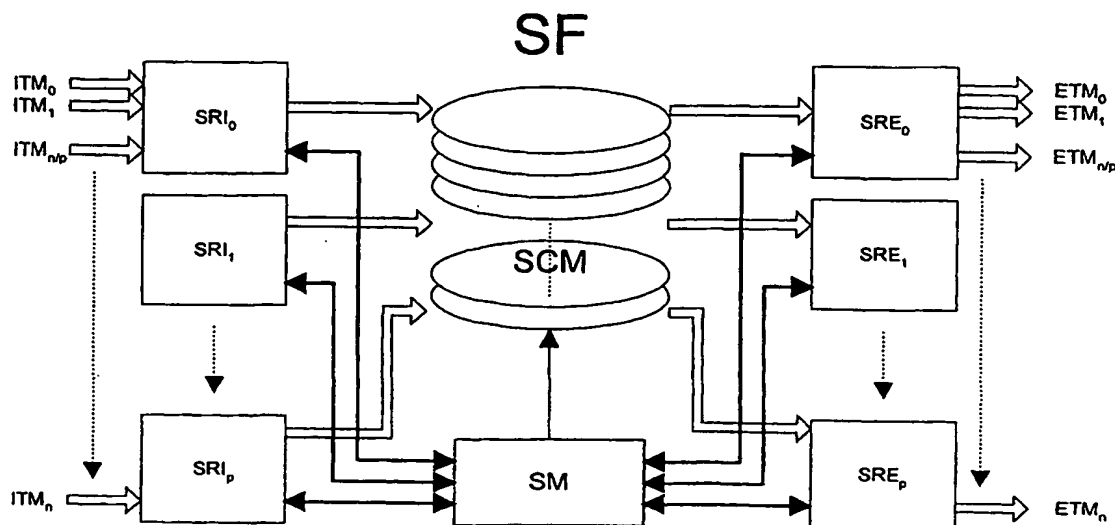




## INTERNATIONAL APPLICATION PUBLISHED UNDER THE PATENT COOPERATION TREATY (PCT)

(51) International Patent Classification <sup>7</sup> : H04L 12/56, 12/64, H04Q 11/04	A1	(11) International Publication Number: <b>WO 00/38375</b> (43) International Publication Date: 29 June 2000 (29.06.00)
<p>(21) International Application Number: PCT/GB99/03748</p> <p>(22) International Filing Date: 10 November 1999 (10.11.99)</p> <p>(30) Priority Data: 9828144.7 22 December 1998 (22.12.98) GB</p> <p>(71) Applicant (for all designated States except US): POWER X LIMITED [GB/GB]; Stafford Court, 145 Washway Road, Sale, Cheshire M33 7PE (GB).</p> <p>(72) Inventors; and (75) Inventors/Applicants (for US only): JOHNSON, Ian, David [GB/GB]; 11 Seel Street, Moseley, Manchester OL5 0EW (GB). COLLINS, Michael, Patrick, Robert [GB/GB]; 53 Brompton Road, Rusholme, Manchester M14 7QA (GB). HOWARTH, Paul [GB/GB]; 14 Badby Close, Ancoats, Manchester M4 7EY (GB).</p> <p>(74) Agents: MCNEIGHT, David, Leslie et al.; McNeight &amp; Lawrence, Regent House, Heaton Lane, Stockport, Cheshire SK4 1BS (GB).</p>	<p>(81) Designated States: AE, AL, AM, AT, AU, AZ, BA, BB, BG, BR, BY, CA, CH, CN, CR, CU, CZ, DE, DK, EE, ES, FI, GB, GD, GE, GH, GM, HR, HU, ID, IL, IN, IS, JP, KE, KG, KP, KR, KZ, LC, LK, LR, LS, LT, LU, LV, MA, MD, MG, MK, MN, MW, MX, NO, NZ, PL, PT, RO, RU, SD, SE, SG, SI, SK, SL, TJ, TM, TR, TT, UA, UG, US, UZ, VN, YU, ZA, ZW, ARIPO patent (GH, GM, KE, LS, MW, SD, SL, SZ, TZ, UG, ZW), Eurasian patent (AM, AZ, BY, KG, KZ, MD, RU, TJ, TM), European patent (AT, BE, CH, CY, DE, DK, ES, FI, FR, GB, GR, IE, IT, LU, MC, NL, PT, SE), OAPI patent (BF, BJ, CF, CG, CI, CM, GA, GN, GW, ML, MR, NE, SN, TD, TG).</p> <p>Published With international search report.</p>	

(54) Title: DATA SWITCHING METHOD AND APPARATUS



## (57) Abstract

A data switch for handling packets of information switch comprises input traffic managers, ingress routers, a memoryless cyclic switch fabric, egress routers and output traffic managers all acting under the control of a switch controller. Each ingress router includes a set of virtual output buffers one for each output traffic manager and each message priority. Each data packet or cell as it arrives is examined to identify the output traffic manager address and its message priority. The switch controller uses a first arbitration and selection process to schedule the passage of the next cell across the switch fabric which the ingress router uses a second arbitration and selection process to select the appropriate virtual output queue for use in the switch fabric transfer.

*FOR THE PURPOSES OF INFORMATION ONLY*

Codes used to identify States party to the PCT on the front pages of pamphlets publishing international applications under the PCT.

AL	Albania	ES	Spain	LS	Lesotho	SI	Slovenia
AM	Armenia	FI	Finland	LT	Lithuania	SK	Slovakia
AT	Austria	FR	France	LU	Luxembourg	SN	Senegal
AU	Australia	GA	Gabon	LV	Latvia	SZ	Swaziland
AZ	Azerbaijan	GB	United Kingdom	MC	Monaco	TD	Chad
BA	Bosnia and Herzegovina	GE	Georgia	MD	Republic of Moldova	TG	Togo
BB	Barbados	GH	Ghana	MG	Madagascar	TJ	Tajikistan
BE	Belgium	GN	Guinea	MK	The former Yugoslav Republic of Macedonia	TM	Turkmenistan
BF	Burkina Faso	GR	Greece			TR	Turkey
BG	Bulgaria	HU	Hungary	ML	Mali	TT	Trinidad and Tobago
BJ	Benin	IE	Ireland	MN	Mongolia	UA	Ukraine
BR	Brazil	IL	Israel	MR	Mauritania	UG	Uganda
BY	Belarus	IS	Iceland	MW	Malawi	US	United States of America
CA	Canada	IT	Italy	MX	Mexico	UZ	Uzbekistan
CF	Central African Republic	JP	Japan	NE	Niger	VN	Viet Nam
CG	Congo	KE	Kenya	NL	Netherlands	YU	Yugoslavia
CH	Switzerland	KG	Kyrgyzstan	NO	Norway	ZW	Zimbabwe
CI	Côte d'Ivoire	KP	Democratic People's Republic of Korea	NZ	New Zealand		
CM	Cameroon			PL	Poland		
CN	China	KR	Republic of Korea	PT	Portugal		
CU	Cuba	KZ	Kazakstan	RO	Romania		
CZ	Czech Republic	LC	Saint Lucia	RU	Russian Federation		
DE	Germany	LI	Liechtenstein	SD	Sudan		
DK	Denmark	LK	Sri Lanka	SE	Sweden		
EE	Estonia	LR	Liberia	SG	Singapore		

- 2 -

which means that the storage devices must be very high performance. Hence, at very high data rates current technology limits the use of output buffers.

It is an object of the invention to provide a data switching method and apparatus for the more efficient handling of packets of information through a data switch.

According to a first aspect of the invention there is provided a method of handling packets of information through a data switch comprising input traffic controllers, ingress routers, a memoryless cyclic switch fabric, egress routers and output traffic controllers all under the control of a switch controller and interconnected such that each input line connected to the data switch is terminated on a traffic controller arranged to convert the input line protocol information packets into fixed length cells having a header defining the data switch destination router and output traffic controller together with message priority information arranged such that each ingress router serves a group of traffic controllers characterised in that the ingress router includes a set of input buffers one for each input line and a set of virtual output queue buffers, one for each output traffic controller from the data switch, and in which the method comprises on the arrival of a cell from a traffic controller the ingress router examines the cell header and places it in the appropriate virtual output queue and generates a request for transfer message consisting of the destination traffic controller address and a message priority code which is passed to the data switch controller, the switch controller schedules the passage of the cells across the switch fabric by interconnecting a specific ingress router to a specific egress router for each switch fabric cycle in accordance with a first arbitration process the ingress router selecting from the appropriate virtual output queue the cell at the head of the queue for passage across

the data switch to the appropriate output traffic controller in accordance with a second arbitration process.

According to a second aspect of the invention there is provided a data switch for handling packets of information comprising input traffic controllers, ingress routers, a memoryless cyclic switch fabric, egress routers and output traffic controllers all under the control of a switch controller and interconnected such that each input line connected to the data switch is terminated on a traffic controller arranged to convert the input line protocol information packets into fixed length cells having a header defining the data switch destination router and output traffic controller together with message priority information arranged such that each ingress router serves a group of traffic controllers characterised in that the ingress router includes a set of input buffers one for each input line and a set of virtual output queue buffers, one for each output traffic controller connected to the data switch, and in which on the arrival of a cell from a traffic controller the ingress router examines the cell header and places it in the appropriate virtual output queue and generates a request for transfer message consisting of the destination traffic controller address and a message priority code which is passed to the data switch controller, the switch controller schedules the passage of the cells across the switch fabric by interconnecting a specific ingress router to a specific egress router for each switch fabric cycle in accordance with a first arbitration process and the ingress router selects from the appropriate virtual output queue the cell at the head of the queue for passage across the data switch to the appropriate output traffic controller in accordance with a second arbitration process.

The invention together with its various features will be more readily understood from the following description which should be read in conjunction with the accompanying drawings, in which:-

- Fig. 1 shows a generalised concept of the prior art,  
Fig. 2 shows in block diagram form one embodiment the data switch of the invention,  
Fig. 3 shows the switch fabric of the embodiment of the invention,  
Fig. 4 shows the flow of data through the switch fabric,  
Fig. 5 shows ATM frame headers when passing through the switch fabric,  
Fig. 6 shows Ethernet frame headers when passing through the switch fabric,  
Fig. 7 shows the scheduling and arbitration arrangements of the data switch,  
Fig. 8 shows an egress backpressure broadcast,  
Fig. 9 shows the switch block diagram,  
Fig. 10 shows the detail of the switch block,  
Fig. 11 shows a block diagram of the master according to the embodiment of the invention,  
Fig. 12 shows a block diagram of a router according to the embodiment of the invention, whilst  
Fig. 13 shows the queue structure.

Referring now to Figure 1, this shows the general concept of a data switch. Inputs N1 to Nn are connected to respective input ports IP1 to IPn of a data switch SW. The switch has output ports OP1 to OPn connected to respective outputs M1 to Mn.

With intelligent distributed scheduling mechanisms it is possible to create an input buffered switch which meets the same traffic shaping efficiency of its output buffered counterpart. The use of input buffers is preferred for several

reasons. Input buffering requires smaller buffers, which can have relatively low performance and therefore be cheaper.

When cells are queued at the input there is the possibility of contention arising through the phenomena of Head Of Line (HOL) blocking. This generally occurs when First In First Out (FIFO) queue mechanisms are used. The FIFO queues the cell at the head of the queue and this is the only one that can be chosen for delivery through the switch. Now, consider the case where an input port has three cells  $c_1$ ,  $c_2$ ,  $c_3$  stored such that  $c_1$  is at the head of the queue with  $c_2$  stored next and  $c_3$  last with cell  $c_1$  destined for port  $N$  and cell  $c_2$  destined for port  $N+1$ . Now port  $N$  is already connected to port  $N-1$  therefore  $c_1$  cannot be switched, however port  $N+1$  is unconnected and therefore  $c_2$  could actually be delivered. However,  $c_2$  cannot get out of the FIFO because it is blocked by the HOL i.e.  $c_1$ . An intelligent approach to the solution of HOL blocking is the concept of Virtual Output Queues (VOQ). Using VOQs the cells are separated out at the input into queues which map directly to their required output destination. They can therefore be effectively described as being output queues, which are held at the input i.e. virtual Output Queues. Since the cells are now separated out in terms of their output destination they can no longer be blocked by the HOL phenomena.

There is also the question of Quality Of Service (QoS) to address. Different input sources have different requirements in terms of how their data should be delivered. For example voice data must be guaranteed to a very tightly controlled delivery service whereas the handling of computer data can be more relaxed. To accommodate these requirements the concept of priority can be used. Data is given a level of priority, which changes the way the switch deals with it. For example consider two cells in different VOQs  $c_1$  and  $c_2$  which are both

Referring now to Figure 2, the main feature is the data switch SW. Inputs are provided to the switch from ingress traffic manager units  $ITM_0$  to  $ITM_n$ . Each ingress traffic manager may have one or more input line end devices (ILE) connected to it. Outputs from the switch SW are connected by way of egress traffic manager units  $ETM_0$  to  $ETM_n$  to egress line end devices (ELE).

The traffic manager units (ITM and ETM) provide the protocol-specific processing in the switch, such as congestion buffering, ingress traffic policing, address translation (ingress and egress) and routing (ingress), traffic shaping (ingress or egress), collection of traffic statistics and line level diagnostics. There may also be some segmentation and re-assembly functionality within a traffic manager unit. The line end devices (ILE and ELE) are full-duplex devices and provide the switch port physical interfaces. Typically, line end devices will be operated in synchronous transfer mode, ranging from OC-3 to OC-48 rates or 10/100 and Gigabit Ethernet.

The switch SW provides the application independent, loss-less transport of data between the traffic managers based on routing information provided by the traffic managers and the connection allocation policies determined by the switch control SC. This controls the global functions of the switch such as connection management, switch level diagnostics, statistics collection and redundancy management.

The switching system just described is based on an input-queued non-blocking crossbar architecture. A combination of adequate buffering, hierarchic flow control, and distributed scheduling and arbitration processes ensure loss-less, efficient, and high performance switching capabilities. It should be noted that the ingress and egress functions are shown separately on either side of the drawing.

REPLACED BY  
ART 34

In reality, traffic manager units, line-end devices ingress and egress ports may be considered full duplex

Fig. 3 shows the basic architecture of the switch according to one embodiment of the invention. The ingress traffic manager units ITM described above connect streams of data to a number of ingress routers  $SRI_0$  to  $SRI_p$ . These routers are connected to the switching matrix SCM, which is itself controlled by a switch controller SM. Data outputs from the switching matrix SCM are passed by egress routers  $SRE_0$  to  $SRE_p$  and on to the egress traffic manager units ETM.

The ingress routers  $SRI_0$  to  $SRI_p$  on the ingress side collect data streams from the ingress traffic manager units ITM, request connections across the switching matrix SCM to the controller SM, queue up data packets (referred to as "tensors") until the controller SM grants a connection and then sends the data to the switching matrix SCM. On the egress side, the egress routers  $SRE_0$  to  $SRE_p$ , sort data packets into the relevant data streams and forward them to the appropriate egress traffic manager units ETM. Each ingress and egress router communicates on a point to point basis with two traffic manager units over a common switch interface. Each interface is 32 bits wide (full duplex) and can operate at either 50 or 100MHz. Through its common interfaces the routers can support up to 5Gbs of cell-based traffic such as ATM or 4Gbs of packet based traffic such as gigabit Ethernet. These 4 or 5Gbs of data share a small amount of external memory.

The switch controller SM takes connection requests from the ingress routers and creates sets of connections in the switching matrix SCM. The controller SM arbitration mechanisms maximise the efficiency of the switching SCM while maintaining fairness of service to the routers. The controller SM is able to configure one-to-one (unicast) and one-to-all (broadcast) connections in the



switching matrix SCM. The controller SM selects an optimal combination of connections to establish in the matrix SCM once per switching cycle. The selection can be postponed by one (or more) backpressure broadcast requests that are satisfied in a round-robin fashion before allowing normal operation to resume. The arbiter also uses a probabilistic work-conserving algorithm to allocate bandwidth in the switching matrix to each priority according to information defined by the external system controller.

The switching matrix SCM itself consist of a number of memory-less, non-blocking matrix planes SCMI - N and a number of embedded serial transceivers to interface to the routers. The number of matrix planes in a particular switch depends on the core throughput required across the matrix. The core throughput will be greater than the aggregate of the external interfaces to allow for inter-router communication, core header overheads and maximal connections during the arbitration cycles. The device is packaged with two planes of sixteen ports, which can be configured to provide an alternative number of planes/ports. The multiple serial links that comprise the data path between the router and switching matrix are switched simultaneously and therefore act as a single full duplex fat pipe of 8Gbps. The switching matrix has the novel feature that it can be configured as a 'NxN' port crossbar device where N can be 4, 8 or 16. This feature can increase the number of planes per package and therefore allows a wide range of systems to be realised cost effectively. For example using the first generation chip set systems of less than 20Gbps up to 80Gbps can be easily configured.

Underlying the management of the system is the fabric management interface FMI, which provides an external orthogonal interface into all of the system devices. This level of management provides read/write access to a chosen subset of important registers and RAMs while the device is functioning normally,

and will provide access to all the registers and RAMs in a device (using the scan mechanism) if the system is inoperable. Management access can be used for the purposes of system initialisation, and dynamic reconfiguration. The following features need to be configured via the fabric management interface FMI at system reset but can be modified on a live system: ingress router queue parameter sensitivities, ingress and egress queue thresholds, bandwidth allocation tables in the routers and switch controller and status information. Each device has a primary status register, which can be read to obtain the high-level view of the device status; for example, the detection of non-critical failures. If necessary, more detailed status registers can then be accessed.

If a device or the total system fails, fabric interface management access into the chip-set is still possible. This will normally provide useful information in diagnosing the fault. It can also be used to perform low-level testing of the hardware.

Detailed error management facilities have been built into the system. The management of errors can be considered under the headings of detection, correction, containment and reporting as described below:-

a) Detection. Within the system, all interfaces between devices are checked as follows:- parallel interfaces between devices are protected by parity. Serial data being routed from one router to another via the switching matrix is protected by a sixteen bit cyclic redundancy code. This is generated in the ingress router and forms part of the tensor. It is checked and discarded at the egress router. All external interfaces support parity and the common switch interface specification includes optional parity. This is implemented at the system end of the interface.

There are certain units within the system that are common to all devices. The two units of most interest are the Central Management Unit and the Fabric Management Interface.

Data is handled throughout the system in fixed length cells. There are several reasons for using fixed length cells, one of which is that the quality of service (QoS) is easier to guarantee when the switch is reconfigured after every switch cycle. In addition, the packet latency is improved for both long and short packets and the buffer management is simplified. In practice, there are slight variations in the format of the cells, due to the need to include steering information in headers at various points. Figure 4 shows the flow of data through the switch fabric and the functions performed by the seven steps shown in the diagram are detailed below:-

Firstly, packets received from a line end are, where necessary, segmented in a ingress traffic manager ITM and formed into cells of the correct format to be transferred over the common interface, denoted in Figure 4 as CSIX;

Secondly, at the ingress router SRI, arriving cells are examined and placed in the appropriate queue. There are several sets of queues, shown here as unicast queues UQ, multicast queues MQ and broadcast queues BQ.. In the diagram the cell has been placed into one of the unicast queues;

Thirdly, the arrival of a cell triggers a 'request for transfer' RFT to the controller SM. The cell will be held in the queue until this request is granted;

At step 4, the controller SM executes an arbitration process and determines the maximal connection set that can be established within the switching matrix SCM for the next switching cycle. It then grants the 'request to transfer' RTT and signals the egress router SRE that it must expect a cell.

At the fifth step, the ingress router SRI, having been granted a connection, also executes an arbitration process to determine which cell will be transferred.

The cell is transferred through the memory-less switching matrix SCM and into a buffer in the egress router SRE.

As shown at step 6, there is one egress buffer per egress traffic manager ETM and arriving cells are examined and placed in the appropriate traffic manager queue in the egress router SRE.

Finally, at step 7, the cell is transferred to the egress traffic manager EME over the standard interface CSIX and, where necessary, re-assembled into a packet before onward transmission.

The transfer of data through the system is packaged in cells termed tensors. An arbitration cycle transfers one tensor per router through the switching matrix SCM. Each tensor consists of 6 or 8 vectors. A vector consists of one byte per plane of the switching matrix and is transferred through it in one system clock cycle. The sizes of the vector and tensor for a particular application are determined by the bandwidth required in the fabric and the most appropriate cell size. The following sections show the typical packaging of the data as it flows through the system for ATM and Ethernet.

As shown in Figure 5a, illustrating the ASTM application, payload cells P containing fifty three bytes of data arriving from an ingress traffic manager ITM across the interface CSIX are re-packaged into 60-byte tensors (6 vectors of 10 bytes). The ingress router analyses the CSIX header UH and wraps the CSIX packet with the core header CH to create a 60-byte tensor UCT in an ingress queue. When the controller SM grants the required connection the tensor passes through the switching matrix SM in one switch cycle to the egress router which writes the unicast tensor UT into the egress queue indicated in the core header. When the tensor reaches the head of the egress queue, the core header is stripped off and the remaining CSIX packet is sent to the egress traffic manager.

If the CSIX frame type indicates a multicast packet MT as shown in Figure 5b, the ingress router strips out the multicast mask MM and replicates the packet into the indicated ingress queues, modifying the target field for each copy as appropriate. The flow then proceeds as for unicast, except that the tensor is written simultaneously into multiple egress buffers after passing through the switching matrix.

In the case of Ethernet or variable length packets as shown in Figure 6, an ingress traffic manager ITM using segmentation and reassembly functionality (SAR) converts the variable length packets VLP into CSIX packets at ingress, embedding the SAR header in the payload. CSIX packets are then transported through the system in the same way as for the ATM example of Figure 5, except that the tensor size is set to 80 bytes (8 vectors of 10 bytes) allowing up to 70 bytes of Ethernet frame to be carried in a single segmented packet. Note that the segmentation header is considered as private to the traffic managers and is shown for illustrative purposes only. The system treats it transparently as part of the payload. The CSIX interface description allows for truncated packets, that is, if a traffic manager sends a payload that would not fill a tensor it can send a shortened CSIX packet. The ingress router stores the short packet in the ingress queues (on fixed tensor boundaries). Any part of the tensor queue that is not used is filled with INVALID bytes. The fixed size tensors will then have the INVALID bytes discarded at the egress router.

In the system architecture, the scheduling and arbitration arrangement is distributed and occurs at two points; in the controller SM (between switch ports and between priorities) and in the router (between traffic managers) SRS/A. Figure 7 is a conceptual diagram showing only the scheduling/arbitration functions across the data switch from the traffic managers TM through the common interface CSIX

to the routers SR and the controller SCM into the switching matrix SC port. The diagram also shows how information on channel, link bandwidth allocation and switch efficiency, queue status, backpressure and traffic congestion management is handled by the referenced arrows.

The controller SM provides the overall control function of the system. When the routers request connections from the controller, they identify their requested switching matrix connection by switch port and priority. The controller then selects combinations of connections in the switching matrix to make best use of the matrix connectivity and to provide fair service to the routers. This is accomplished by using an arbitration mechanism. The controller SM can also enforce pseudo-static bandwidth allocation across the priorities and ingress/egress switch port combinations. For example, an external system controller can guarantee a proportion of the available bandwidth to each of the priorities and to specific connections. Unused allocations will be fairly shared between other priorities and connections.

The controller SM also has a 'best effort' mechanism to dynamically bias the arbitration in favour of long queues for applications that do not require strict bandwidth enforcement.

The routers provide an aggregation function for multiple traffic managers into a single switch port. When the controller SM grants a connection to a particular egress switch port through a particular priority, the appropriate router must choose one of up to eight unicast and one multicast traffic manager queues to service. This is accomplished through a weighted round-robin mechanism, which can select a queue based on a combination of ingress queue length. These may allow for favouring of long queues over shorter ones, or allows traffic

manager to temporarily increase the weighting of a queue via the urgency field in the CSIX header. Queue bandwidth allocation is also a factor, determined by the external system controller or by dynamic intervention. Finally, target congestion management and traffic shaping are features taken into account. The sensitivity of the weighting function to these parameters are determined for each priority and, together with the bandwidth allocations, may be altered dynamically.

The system implements three levels of backpressure, described in more detail below. These are flow, traffic management and core backpressure. Flow level backpressure occurs between ingress and egress traffic managers for the purposes of congestion management and traffic shaping. Backpressure signalling at this level is accomplished by the traffic managers sending packets of data through the system and hence is beyond the scope of this document. Flow level backpressure packets will appear to the system to be no different than data packets and as such, are transparent.

So far as traffic level backpressure is concerned, the system is organised to manage its data-flow at the traffic manager level of granularity (with four priorities). Further granularity is achieved at the traffic manager itself. An egress traffic manager can send backpressure information to the egress side of the router over the CSIX interface, multiplexed with the datastream. Since the egress side of the router has just a single queue per traffic manager, this is just a one-bit signal. Backpressure between routers is signalled via a dedicated broadcast mechanism in the switching controller and switching matrix. There are a number of thresholds in the egress buffer queues. When a threshold is crossed, the egress router signals the controller with a backpressure broadcast request. In the controller, such a request stalls the arbiter at the end of the current cycle and the controller issues a one vector broadcast connection to the switching matrix planes and informs the

requesting egress router. The egress router then sends one vector's worth (10 bytes) of egress buffer status through the matrix to the ingress routers. The controller then continues the interrupted cycles. In the event of several egress routers simultaneously requesting a backpressure broadcast, the controller will satisfy all the requests in a simple round-robin manner before resuming normal service. The latency introduced in the backpressure mechanism due to this contention does not affect the egress buffering since during this period a router will only be receiving backpressure data from other routers, which does not need to be queued.

An egress router will aggregate the threshold transitions from all its egress queues, which have occurred during a switch cycle into one backpressure broadcast so that the maximum number of backpressure broadcasts between two tensors, is limited to the number of routers. When an ingress router ingress receives a backpressure broadcast vector of the form shown in Figure 8, it uses it to update the ingress queue weightings as appropriate.

Two modes of backpressure signalling between egress and ingress routers are supported, namely start/stop and multi-state signalling. Multi-state signalling allows the egress router to signal the multi-bit state of all its queues (1 byte per queue). This multi-state backpressure signalling coupled with weighted-round-robin scheduling in the ingress routers minimises the probability of egress queues being full, which is significant when attempting to forward multicast or broadcast traffic in a heavily utilised switch.

The ingress router signals stop/start backpressure to the ingress traffic managers via the CSIX interface. This provides a 16-bit backpressure signal to allow the ingress router to identify the ingress queue to which the signal relates.



Egress queue thresholds are set globally, whilst ingress queue thresholds are set per queue.

The controller does not keep track of the state of the egress router buffers. However, core level backpressure, is in place across the router/controller interface to prevent egress buffer overflows, by preventing the controller from scheduling any traffic to a particular egress router in the event that all of the respective routers' buffers are full.

Multicast in this system chipset is implemented through the optimal replication of tensors at ingress and egress. An ingress router has one multicast queue per egress router per priority. An ingress multicast tensor (see Figure 8) is created in each of the appropriate queues with the egress multicast masks in the target fields TM of the core headers. Each tensor, of which three are shown, has a length equal to 6 or 8 vectors and a width of 10 bytes. A backpressure vector BPV may be inserted between adjacent tensors as shown. The multicast tensors are then forwarded through the core in the same way as for unicast and the egress routers' then replicate the tensors into the required egress buffers in parallel. This multicast mechanism is intended to provide optimum switch performance with a mix of unicast and multicast traffic. In particular, it maintains the efficiency and fairness of the scheduling and arbitration allowing the switch to provide consistent quality of service.

The system provides a loss-less fabric, therefore multicast tensors cannot be forwarded through the switching matrix unless all the destination queues are not full. In a heavily utilised switch if only stop/start backpressure from the egress queues was implemented, this could severely restrict the useable bandwidth for multicast traffic. Two mechanisms are included in the system to improve its

multicast performance. These are: 1. multi-state backpressure from the egress router, which reduces the probability of egress queues being full, and 2. increasing the weighting of the multicast ingress queues in the weighted-round-robin scheduler when they have been blocked to increase their chances of being scheduled when the block clears. To avoid multicast (and broadcast) being blocked by off-line egress ports, the backpressure signals can be individually masked out by an external system controller via the Fabric Management Interface (FMI).

The requirement for wire-speed broadcast (benchmarking) is met by having a single on-chip broadcast queue in each egress router. When the controller schedules a broadcast connection, the tensor will be routed in the switching matrix to all routers in parallel, thus avoiding any ingress congestion (no tensor replication at ingress). Broadcast backpressure is provided by having each router inform the controller when it transitions in to or out of the state "all-egress-buffers-not-full". The controller will only schedule a broadcast when all egress buffers in all routers are not full. Broadcast backpressure is a configurable option. If it is not activated, the routers do not send status messages and the controller schedules broadcasts on demand. Using this method there is no guarantee that the packet will be forwarded on all ports.

The switching matrix is shown in schematic form in Figure 9. It comprises a high-speed, edge-clocked, synchronous, 16 port dual plane serial cross-point switch SCN for use in the system. It has been optimised to provide a scaleable, high bandwidth, low latency data movement capability. It operates under the control of the controller SM, which sends configuration information to the matrix over the controller interface SMI to create connections for the transmission of data between routers. The buffer and decode logic BDL receives this information and uses it to control the interconnections within the matrix. Data is applied in serial

field to connect ingress and egress ports. For 4 and 8 port configurations, the number of bits of the control port field required is 2 and 3 respectively.

In operation, the switching matrix receives configuration information from the controller SM via the controller interface SMI. This information is loaded into, and stored in, configuration registers. Routing information is passed in the form of a number of encoded fields determining which input port is to be connected to each output port via the switching matrix. In a 16 x 16 matrix, there are 16 output ports. For each output port there is a four bit source address which is encoded to define which input port is to be connected to an output port. There is also an enable signal for each field to signal that the field is valid and a configure signal that indicates that the whole interface is valid. If a field is signalled as not valid, the output port for that field is not connected. If the configure signal is not asserted, the matrix does not change its current configuration. The configuration information on the controller/matrix interface is loaded into the device when the configure signal is asserted. A 16-stage programmable pipeline is used to delay the configuration information until it is required for switching the matrix. If there is a parity error on a port then that ports enable signal will be set to zero and a null tensor will be transmitted to the output of that port. The register that holds the parity error may only be loaded when the configure signal is high and is cleared when read by the diagnostic unit. A parity check is also carried out on the configure signal. If a parity error occurs here then a parity fail condition is asserted, all port enable signals are set to zero and all the output ports on the device will transmit null tensors. The connection between the routers and the matrix is via a set of serial data streams, each running at one Gbaud. Once a connection across the matrix has been set up, tensors are transmitted between ingress and egress routers. The whole process exhibits low latency due to a very small insertion delay. Multiple switching

There is also another mechanism in the controller/router interface referred to as 'core level backpressure', which prevents the controller from scheduling any traffic to a particular egress router. A router uses core level backpressure when all its egress buffers are full.

The controller is capable of establishing both unicast and broadcast connections in the switching matrix. It is also capable of dealing with system configurations that contain a mixture of 'full' and 'half speed' ports, for example a mixture of 10Gbit/sec and 5Gbit/sec routers.

Figure 12 shows a router device. This is a system port interface control device. Its main function is to support user applications' data movement requirements by providing access into and out of the system. There are two instances of the ingress interface unit IIU, one for each of the traffic managers that can be connected to a system port. The IIU is responsible for transferring data from a traffic manager into an internal FIFO queue on the router and informing the ICU that it has tensors ready to transmit into the system. The external interface to the traffic manager utilises common system interface CSIX. This defines an  $n \times 8$ -bit data bus; the ingress interface units IIU operate in a 32-bit mode. The FIFO is four tensors deep to allow one tensor to be transferred to the ICU while subsequent ones are being received.

To generate the tensors, the ingress interface unit appends a three byte system core header to the CSIX frame prior to passing it, indicating the tensors availability to the ICU. The IIU examines the CSIX header to determine whether the frame is of type unicast, multicast or broadcast and indicates the type to the ICU. If the frame is unicast, the IIU sets a single bit in byte 1 indicating the destination TM, this is derived from the destination address in the CSIX header. If

the frame is multicast, a tensor is constructed and sent for each of the 16 system ports that have a non-zero CSIX mask. In the case of a broadcast CSIX frame, byte 1 is set to all 1s by the IIU. The IIU is also responsible for calculating the two byte Tensor Error Check which utilises a cyclic redundancy check.

Traffic manager flow control is provided by making each ingress interface unit IIU responsible for signalling traffic manager start/stop backpressure information to its associated egress interface unit/EIU. The IIU obtains this backpressure information by decoding the CSIX control bus. If parity error checking has been enabled (the appropriate bit in a status register is set) and the IIU detects a parity error on CSIX, then an error is logged and the corresponding tensor discarded. This log can be retrieved via the FMI.

The ingress control unit ICU is responsible for accepting tensors from the ingress interface units IIUs, making connection requests to the controller interface unit SMIU, storing tensors until the controller grants a connection and then sending tensors to transceivers TXR. There are two types of connection requests (and subsequent grants). One is used for all unicast/multicast tensors and the second is used for broadcast traffic. For unicast/multicast tensors the ingress control unit/controller interface unit signalling incorporates the system destination port and priority. Clearly for broadcast tensors there is no requirement for a system destination address and since there is only one level of broadcast tensors, a priority identifier is also not required.

Ingress buffering is illustrated in Figure 13. This buffering for unicast queuing UQ is implemented such that there is one for each possible destination traffic manager and priority. In addition to unicast queues, there is a multicast queue MQ per port per priority and a single broadcast queue BQ. The queues are

statically allocated. There are 512 unicast, 64 multicast and one broadcast queue. The unicast and multicast queues are located in external SRAM. The queue organisation allows flow control down to OC-12 granularity. Within the unicast address field of the CSIX header, 3 bits are allocated for the number of traffic managers a router can support. Since the router supports two traffic managers, the spare bit field is used for a function known as Service Channel. Service Channels provide the means of fully exploiting the routers implicit OC-12 granularity features.

When the ingress control unit ICU receives a connection grant signal from the Controller interface unit SMIU (which specifies egress port and priority), the ICU must choose one of up to 8 qualifying unicast queues or the multicast queue from which to forward a tensor. This is achieved using a weighted round-robin mechanism, that takes into account several parameters. One is the ingress queue length, which allows for the favouring of longer queues over shorter ones and another is aggregate queue tensor urgency, which allows a traffic manager to temporarily increase the weighting of a queue via the urgency field in the CSIX header. One further parameter taken into account is queue bandwidth allocation, whereby an external system controller or system operator can configure the system to provide bandwidth allocation to individual flows via the FMI. The final parameter considered is that of target egress queue backpressure. This requires that the effective performance of the multicast scheme requires that the probability of egress queues being full be minimised. The sensitivity of the weighting function to the input variables is controlled by four sets of global sensitivity variables (one per priority). These settings are configured at system initialisation.

To provide an ingress flow control mechanism, the ingress control unit ICU implements three watermark levels to indicate the state of the queues (fairly empty,

filling up, fairly full or very full). The watermarks have associated hysteresis and both values are configurable via the FMI. When a queue moves from one state to another, the ICU signals the change to each of the egress interface units EIUs. In addition to this 'multistate' backpressure mechanism it is also possible to invoke a second mode of backpressure signalling that involves only start/stop signalling. The backpressure mechanism mode is selected via the FMI by setting the watermark levels appropriately.

The egress control unit ECU signals egress backpressure information to the ICU. This information relates either to the signalling egress router buffers or to information the ECU has received about the state of another egress routers buffers. If the information relates to the signalling egress routers buffers the ICU updates the backpressure status used by the ingress scheduling algorithm and makes a request to send backpressure information to the controller interface unit SMIU. If it relates to another egress routers buffers then the ICU simply updates its own backpressure status.

There are two instances of the egress interface unit EIU, one for each of the traffic managers that are connected to a system port. The egress interface unit is responsible for accepting tensors from the ECU and transmitting them as frames over CSIX to the associated traffic manager.

To provide traffic manager flow control, the egress interface unit EIU accepts traffic manager start/stop backpressure information from its associated ingress interface unit IIU (that is, the one connected to the same traffic manager). If the EIU is currently sending a frame to the traffic manager, then it continues the transfer of the current frame and then waits until a start indication is received before transferring any subsequent frames.

To provide ingress flow control the EIU accepts ingress buffer multistate backpressure information from the ICU and sends it immediately to the traffic manager.

The egress control unit ECU is responsible for accepting tensors from the serial transceivers, when informed by the controller interface unit SMIU of their imminent arrival, and forwarding them to the relevant EIU. The ECU examines the traffic manager mask byte of the system core header to determine the correct destination EIU. In the case of multicast (or broadcast) tensors, multiple bits are set in the mask and the tensors are simultaneously transferred to all the EIUs for which a corresponding bit is set. This feature provides wire speed multicasting at the egress router. The ECU is responsible for checking the tensor error check bytes of the system core header. If the system core error checking has been enabled (i.e. the appropriate bit in a status register is set) and the ECU detects an error, then it is logged and the corresponding tensor discarded. To provide an egress flow control mechanism the ECU implements three watermark levels to indicate the state of the egress buffers (fairly empty, filling up, fairly full or very full). When an egress buffer moves from one state to another the ECU signals the change to the ICU. The level of the watermarks is configurable via the FMI. In addition to this multistate backpressure mechanism it is also possible to invoke a second mode of backpressure signalling that involves only start/stop signalling. The type of backpressure mechanism is selected via the FMI by setting the watermark levels appropriately.

The controller interface unit SMIU is responsible for controlling the interface to the controller. Since the controller operates at the system port rather than the traffic manager port level of granularity, the SMIU also operates at this level. The SMIU maintains a count of the number of tensors in the ingress queues



associated with each destination system port. The count is incremented each time the SMIU is informed of a tensor arrival by the ICU and decremented each time the SMIU receives a grant from the controller.

The controller interface unit SMIU contains a state machine that is tightly coupled to a corresponding one in the controller. For small numbers of tensors (less than about six or seven), the SMIU notifies the controller of each new tensor arrival. For larger numbers of tensors, the SMIU only informs the controller when the count value crosses predefined boundaries.

The central management unit is common to all devices. Its functions are to provide a FMI between each device and an external controller, control error management within the device and provide a reset interface and reference clocking in to each device.

Referring back to Figure 12, the routers provide access into the system via CSIX ingress and egress interfaces. On receiving a CSIX packet from the ingress traffic manager, over the CSIX interface ICSIX, the ingress interface unit IIU checks the type and validity of the packet. The packet is then wrapped with a core header, the contents of which vary with the packet type. When the core header has been appended, the packet becomes known as a tensor. The ingress control unit ICU makes a request to the controller through the controller interface SMI for a connection across the switching matrix and stores the tensors until the connection is created. In order to eliminate head of line blocking for unicast traffic, ingress buffering is organised into separate queues, one for each possible destination traffic manager TMQ1 to TMQN and priority P1 to P4 as shown in Fig. 13. Individual queues per priority are not required to avoid head of line blocking but are advantageous as they allow the controller to enforce bandwidth allocation to each

priority in the switch. In addition to the unicast queue there is a multicast queue per port per priority and a single broadcast queue. The unicast and multicast queues are statically allocated in external SRAM. The purpose of this level of buffering is to allow the controller to allocate connections efficiently by giving it a view of the ingress datastreams and to provide rate matching between the router external interfaces and the router/matrix interface.

When connections are granted, the controller creates a connection across the switching matrix to the requested egress router at a given priority. The ingress control unit ICU must now choose one of the qualifying unicast or multicast queues from which to forward a tensor to the transceiver for serialisation. This level of router scheduling is done on a weighted-round-robin-basis. Each unicast and multicast queue has weighting associated with it, which is determined by the backpressure from the egress buffers, the queue length, the queue urgency and the static bandwidth allocation. On the egress side the controller informs the router of a tensor's imminent arrival. The egress control unit ECU receives this tensor and examines the core header to see which traffic manager to send the tensor to. Tensors are then assembled back into datastreams and forwarded via CSIX to the appropriate traffic manager.

Multicasting in the system is achieved by the optimal replication of tensors at the ingress and egress. On the ingress side a router has one multicast queue per egress router at each priority. Multicast routing information is appended on the ingress side and on arrival at the egress side these masks determine the replication of tensors into the required egress buffers. Broadcast in the system is achieved by having a single on chip broadcast queue at the ingress of each router. When the controller schedules a broadcast connection, the tensor will be routed by the matrix to all egress routers in parallel, thus avoiding any ingress congestion.

Each system device contains a logic block known as the fabric management interface unit (FMIU). The FMIU interfaces to the functional logic, also known as the core, within the device in order to provide run-time (read/write) access to a chosen subset of the registers and RAM locations, a mechanism to report run-time fail conditions detected by the device, and scan access (read/write) to the total set of registers in the functional logic while the functional logic is not operational.

The external interface to the fabric management interface unit FMIU requires a number of inputs, including a Hard/Reset input which sets the system device into a known state. In particular, it sets the device into a state where the FMIU is fully functional and the serial interface can be used. Hard Reset is expected to be applied when power is first applied to the device, and may also be applied at other times. The external interface also has a serial input and serial output lines and a device locator address field used to identify a particular instance of a device. The device locator field is generated by tie-offs that are determined by the device's physical position in the system.

The main functions of the central management unit (CMU) shown in Figure 12 include error detection and logging logic. This is responsible for detecting error conditions and states within the chip or on its interfaces. As such, its functionality is spread throughout the design and is not concentrated within a specific block. Errors are reported and stored in the Error and Status registers and logs, which are accessible across the FMI. The CMU also has reset and clock generation logic responsible for the generation and distribution of clocks and reset signals within the device. In addition, the CMU contains test control logic which controls the mechanisms built in for chip test. The target fault coverage is 99.9%. This logic is not used under normal operating conditions. The final function of the CMU is to provide fabric management logic common to all of the system devices

CLAIMS

1. A method of handling packets of information through a data switch comprising input traffic controllers, ingress routers, a memoryless cyclic switch fabric, egress routers and output traffic controllers all under the control of a switch controller and interconnected such that each input line connected to the data switch is terminated on a traffic controller arranged to convert the input line protocol information packets into fixed length cells having a header defining the data switch destination router and output traffic controller together with message priority information arranged such that each ingress router serves a group of traffic controllers characterised in that the ingress router includes a set of input buffers one for each input line and a set of virtual output queue buffers, one for each output traffic controller from the data switch, and in which the method comprises on the arrival of a cell from a traffic controller the ingress router examines the cell header and places it in the appropriate virtual output queue and generates a request for transfer message consisting of the destination traffic controller address and a message priority code which is passed to the data switch controller, the switch controller schedules the passage of the cells across the switch fabric by interconnecting a specific ingress router to a specific egress router for each switch fabric cycle in accordance with a first arbitration process the ingress router selecting from the appropriate virtual output queue the cell at the head of the queue for passage across the data switch to the appropriate output traffic controller in accordance with a second arbitration process.

2. A method of handling packets of information through a data switch as claimed in claim 1 characterised in that the ingress buffering is organised into separate queues, one for each destination traffic controller and each priority level.

REPLACED BY  
ART 34 AMBT

3. A method of handling packets of information through a data switch as claimed in claim 1 or 2 characterised in that the ingress router uses a weighted round-robin arbitration process to select the next queue buffer based upon ingress queue length, aggregate queue packet urgency and target traffic controller egress queue backpressure.
4. A method of handling packets of information through a data switch as claimed in claim 1, 2 or 3 characterised in that the first arbitration process involves determining the set of requests to be accepted for each switch fabric cycle attempts to deliver a packet of information to each output switch fabric port in every arbitration cycle.
5. A data switch for handling packets of information comprising input traffic controllers, ingress routers, a memoryless cyclic switch fabric, egress routers and output traffic controllers all under the control of a switch controller and interconnected such that each input line connected to the data switch is terminated on a traffic controller arranged to convert the input line protocol information packets into fixed length cells having a header defining the data switch destination router and output traffic controller together with message priority information arranged such that each ingress router serves a group of traffic controllers characterised in that the ingress router includes a set of input buffers one for each input line and a set of virtual output queue buffers, one for each output traffic controller connected to the data switch, and in which on the arrival of a cell from a traffic controller the ingress router examines the cell header and places it in the appropriate virtual output queue and generates a request for transfer message consisting of the destination traffic controller address and a message priority code which is passed to the data switch controller, the switch controller schedules the passage of the cells across the switch fabric by interconnecting a specific ingress

router to a specific egress router for each switch fabric cycle in accordance with a first arbitration process and the ingress router selects from the appropriate virtual output queue the cell at the head of the queue for passage across the data switch to the appropriate output traffic controller in accordance with a second arbitration process.

6. A data switch for handling packets of information as claimed in claim 5 characterised in that the virtual output queues are arranged as separate queues one for each destination traffic controller and each priority level.
7. A data switch for handling packets of information as claimed in claim 5 or 6 characterised in that the ingress router uses a weighted round-robin mechanism to select the next queue buffer based on ingress queue length, aggregate queue packet urgency and target traffic controller egress queue backpressure.
8. A data switch for handling packets of information as claimed in claim 5, 6 or 7 characterised in that the switch controller performs a first arbitration process which involves determining the set of requests to be accepted for each switch fabric cycle by attempting to deliver a packet of information to each output switch fabric port in every arbitration cycle.
9. A method of handling packets of information through a switch as described and shown in the accompanying drawings.
10. A data switch for handling packets of information as described and shown in the accompanying drawings.

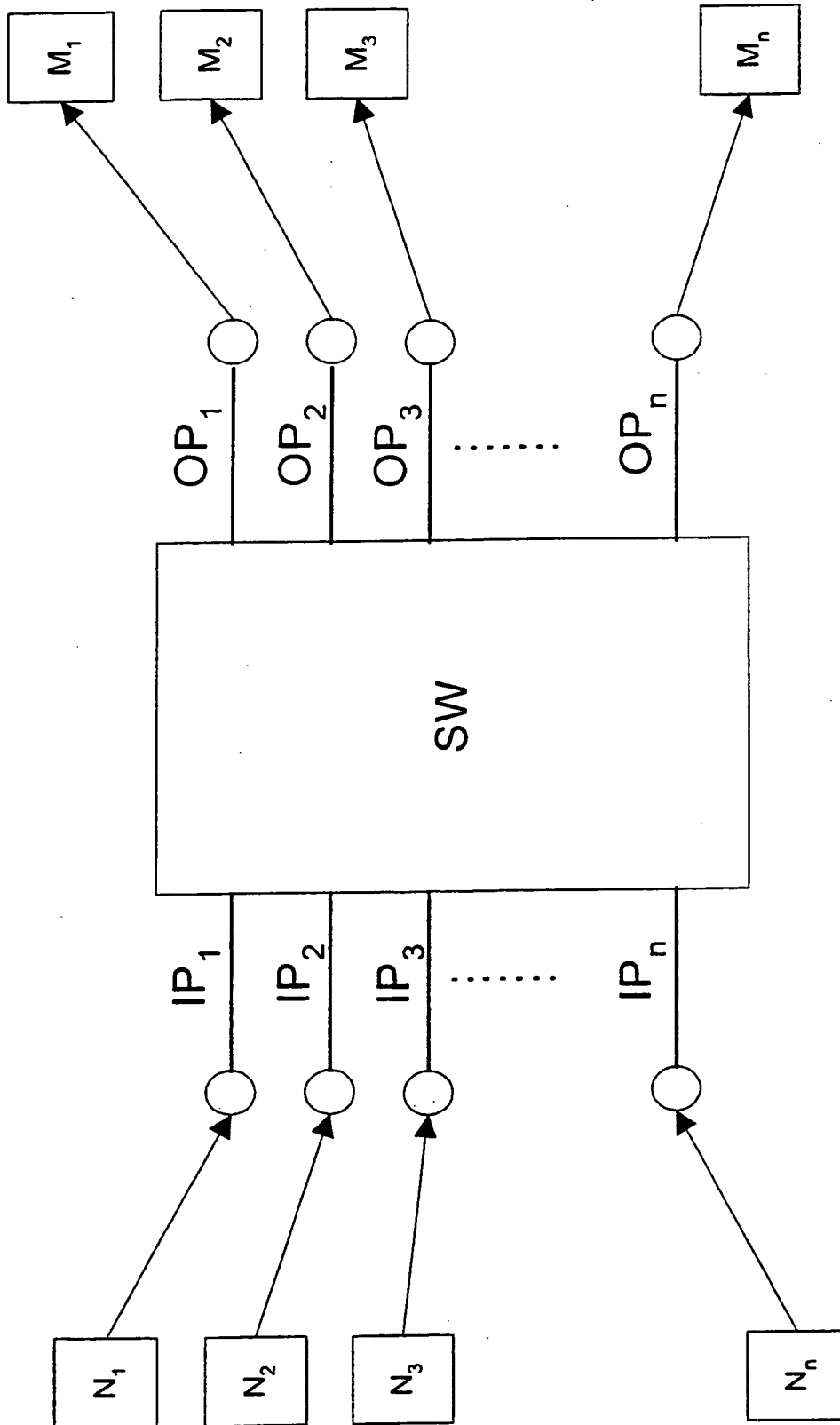


Fig 1.

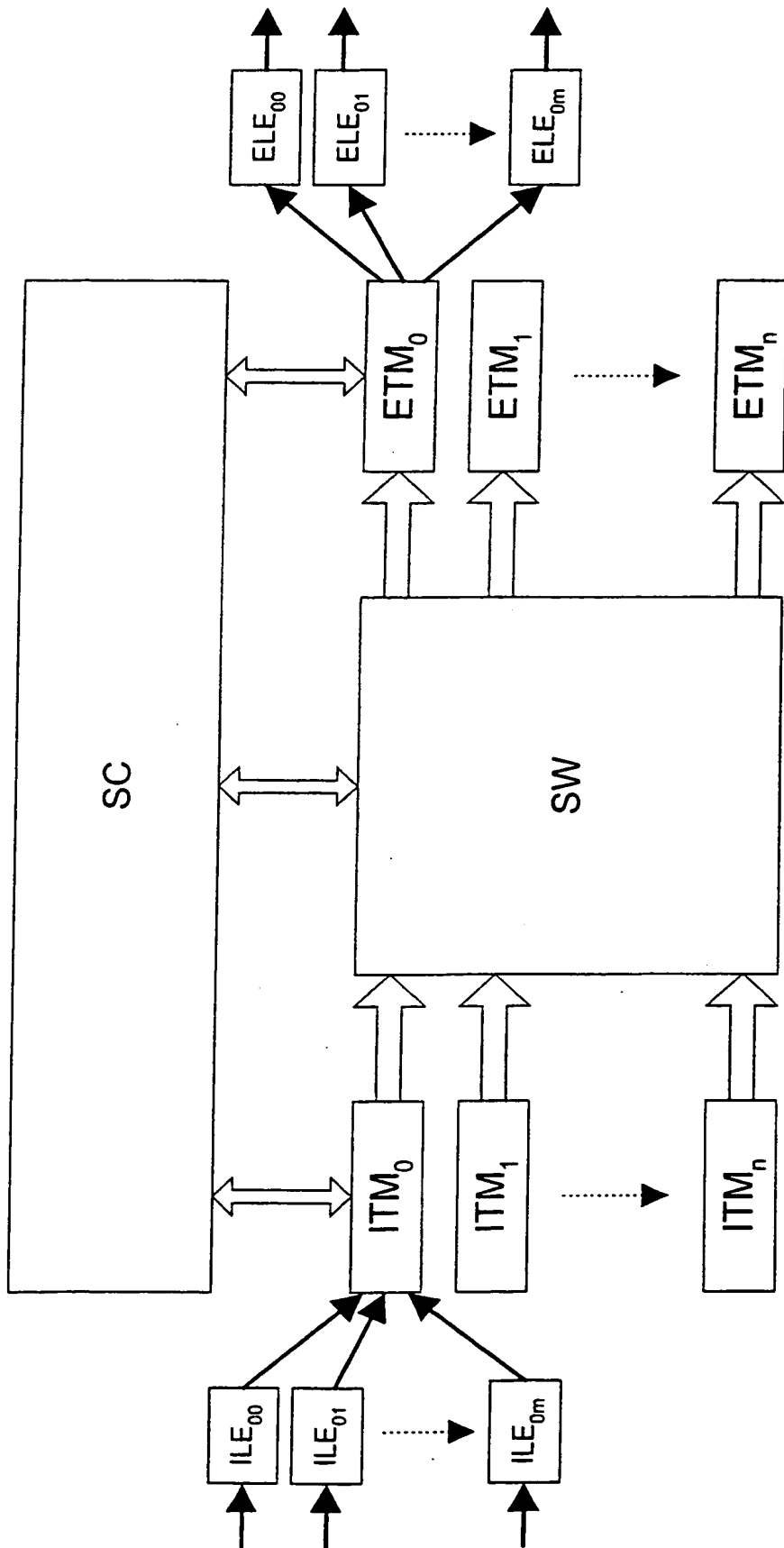


Fig 2.



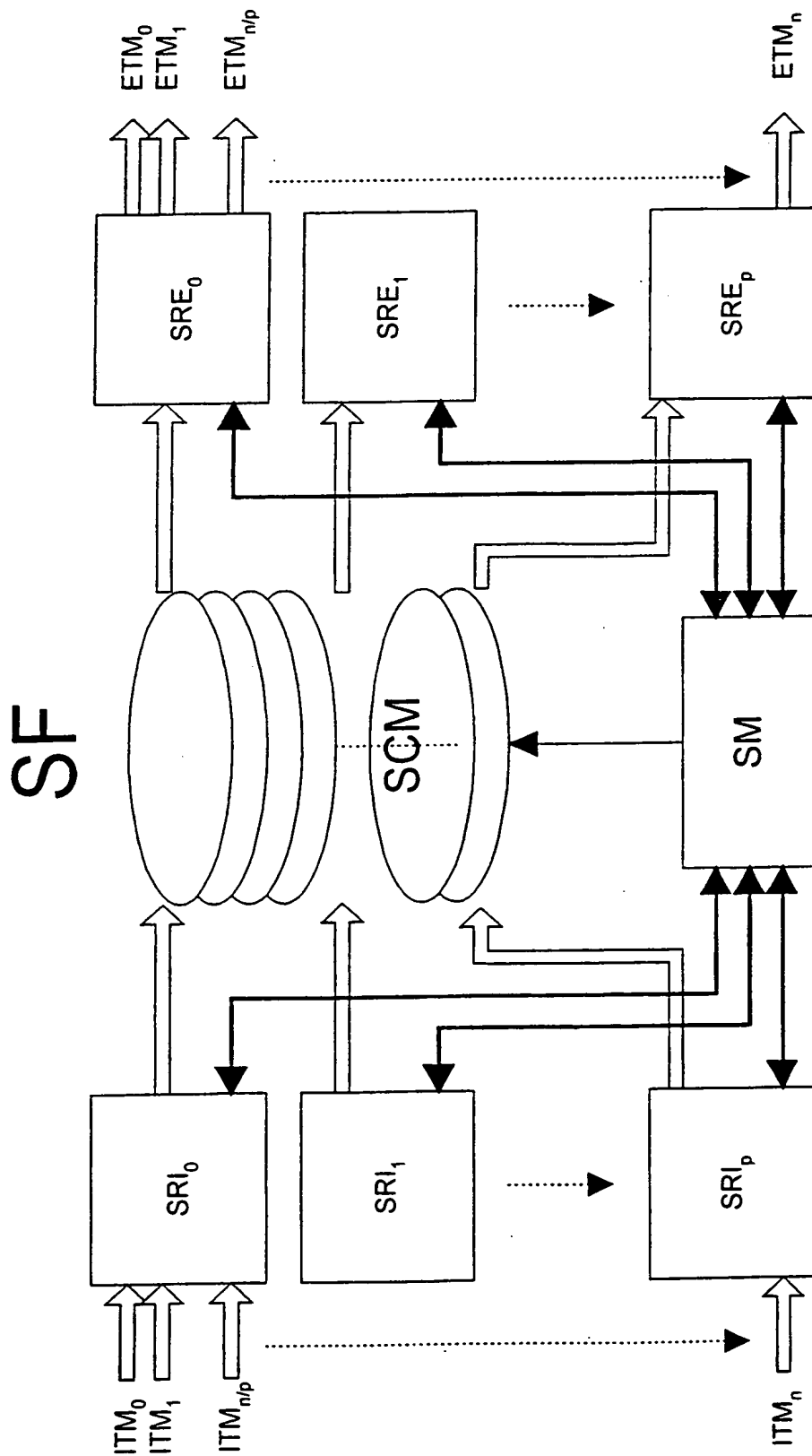


Fig 3.

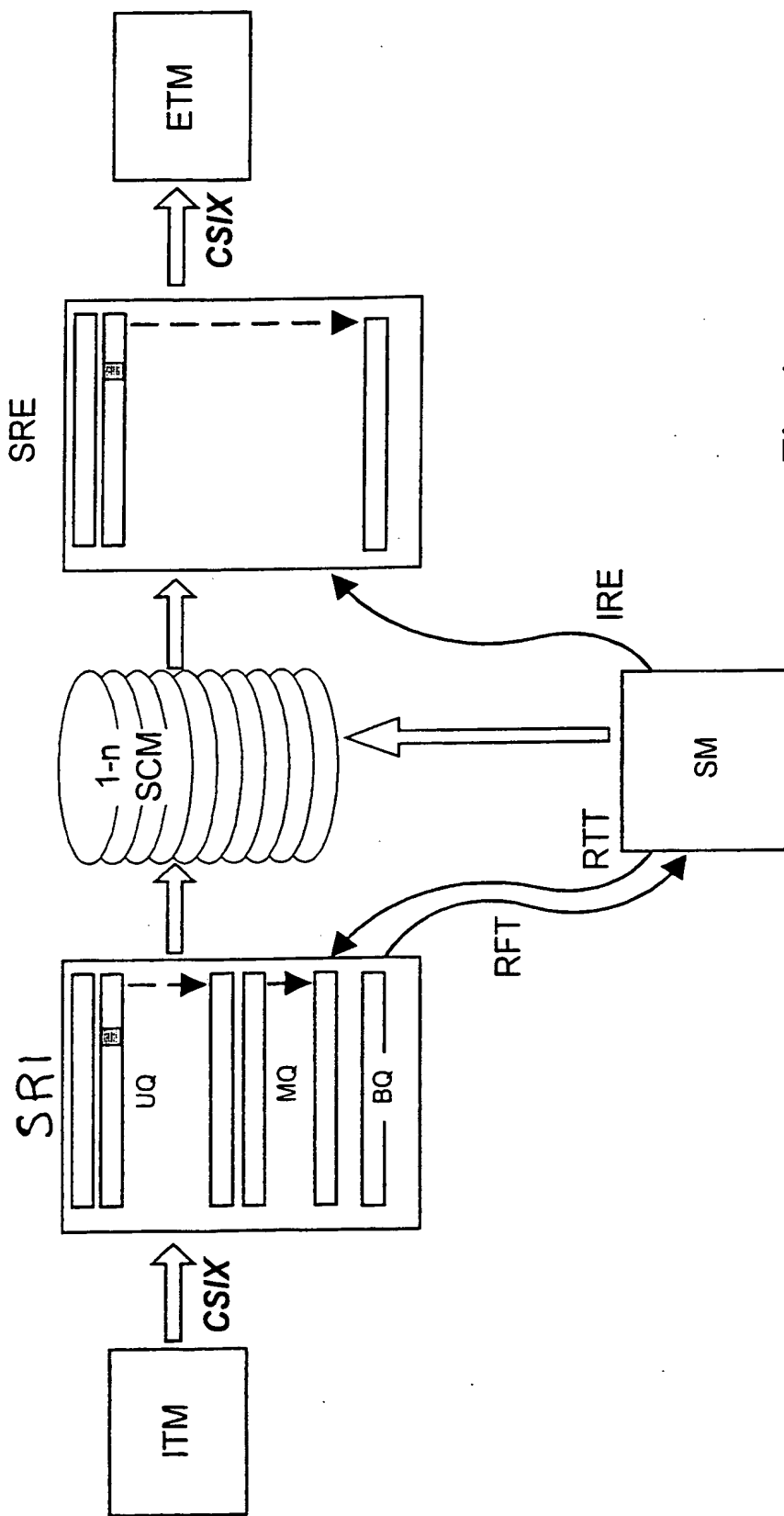


Fig 4.

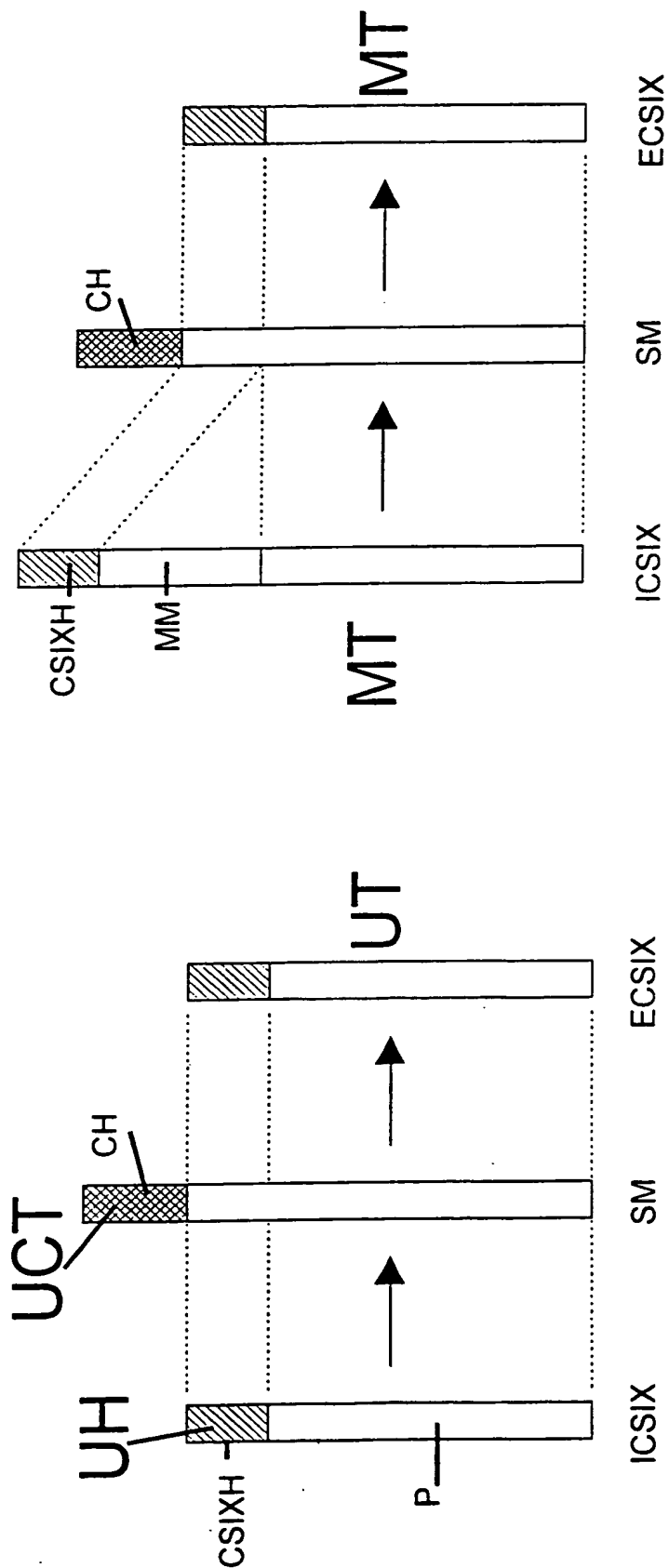


Fig 5.

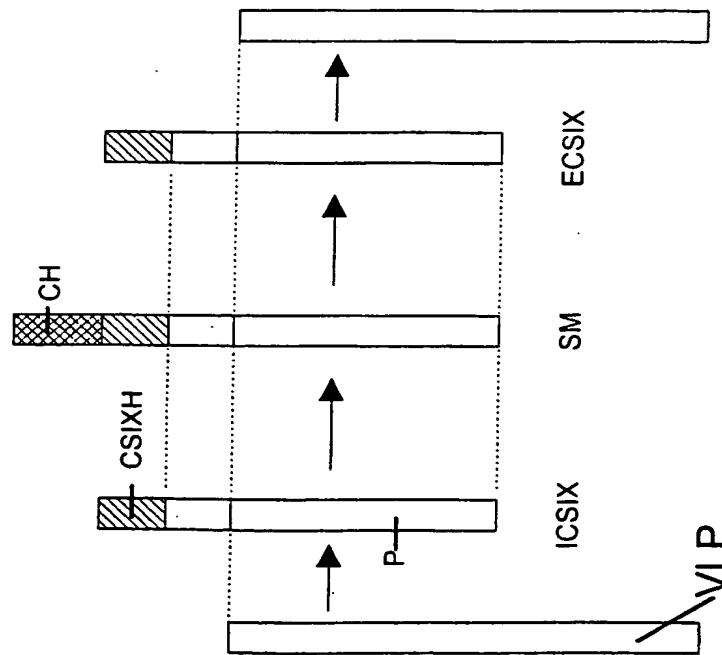
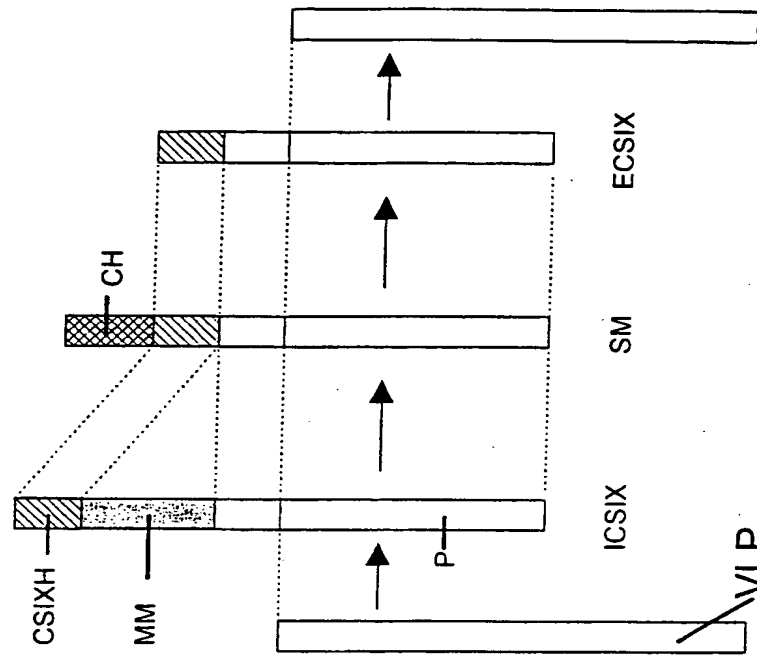


Fig 6.

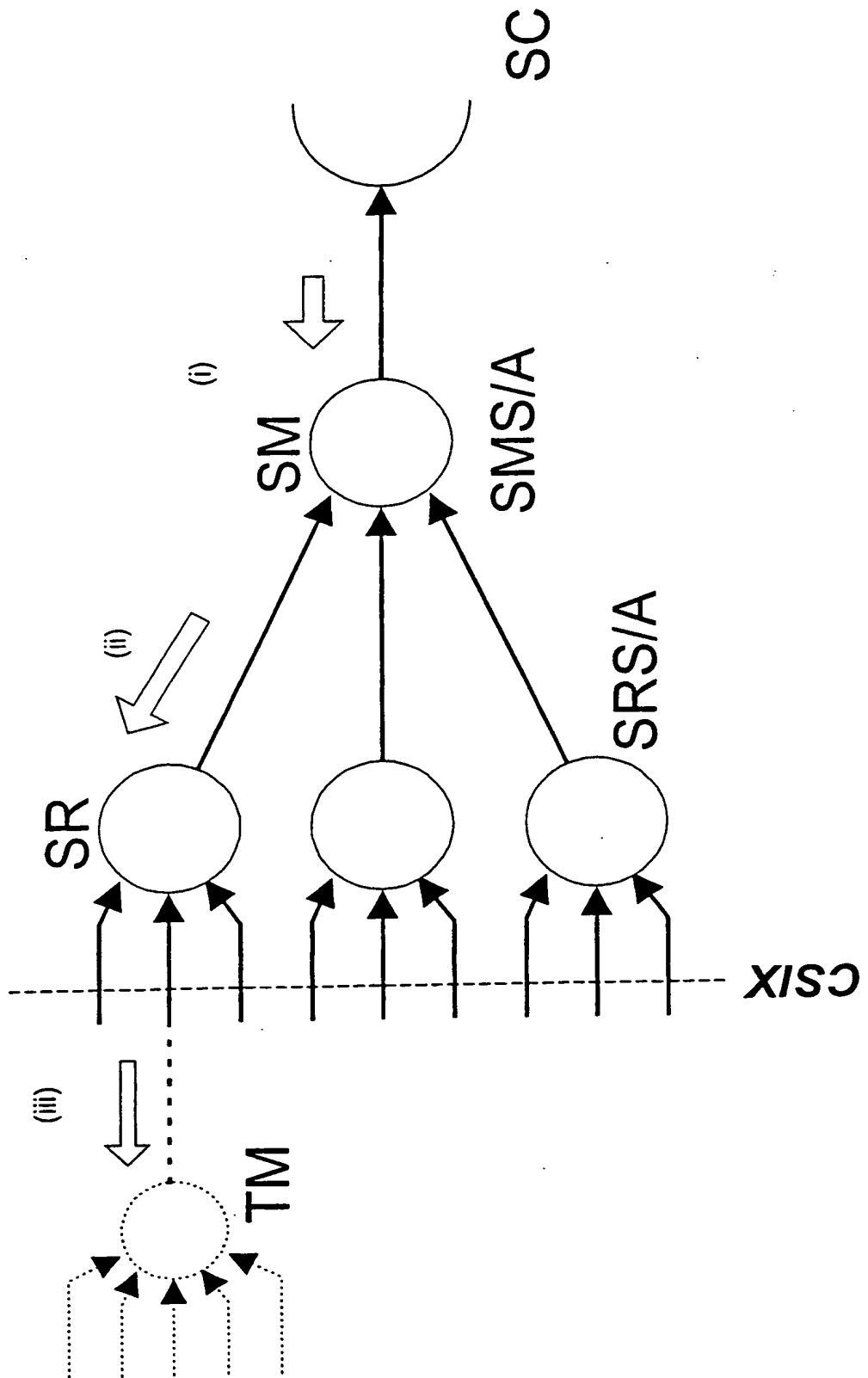


Fig 7.

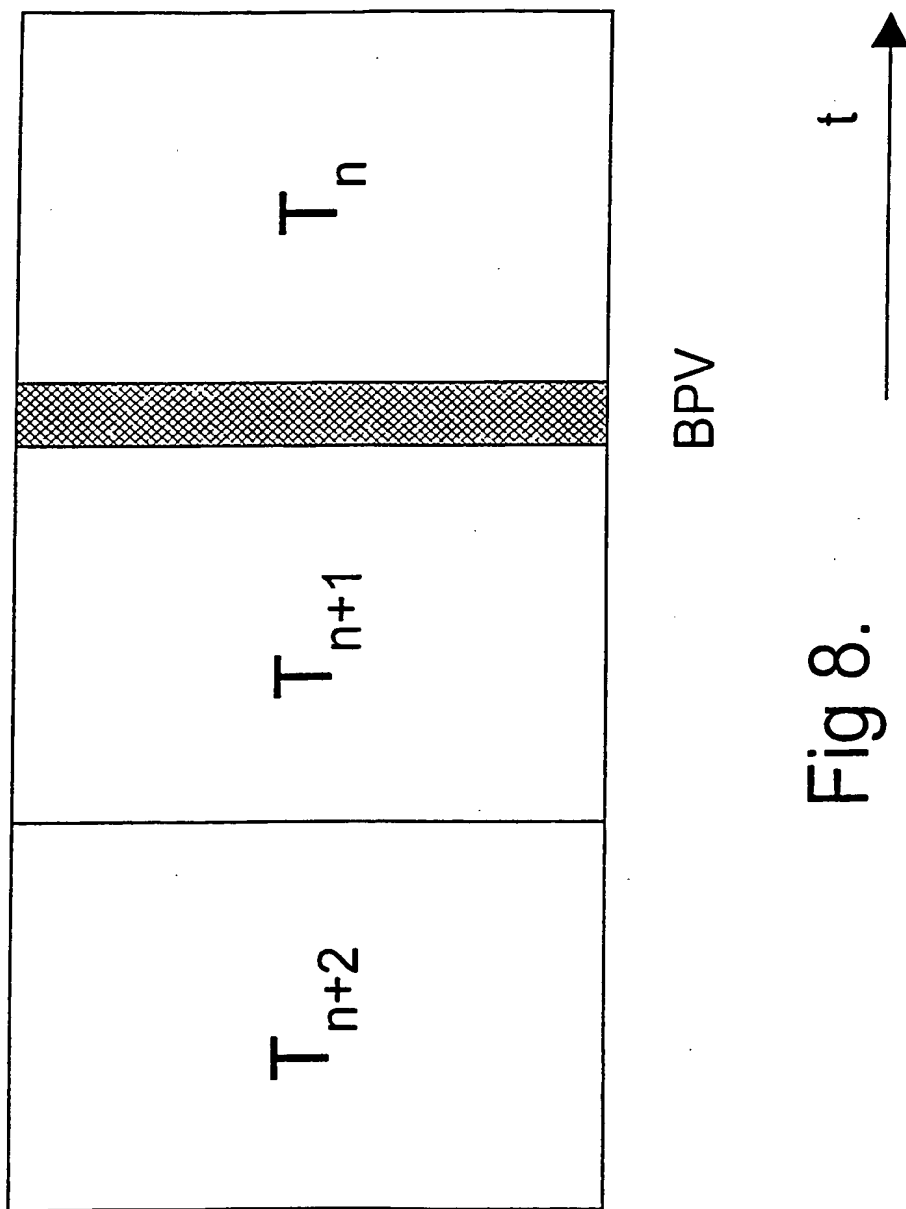


Fig 8.

Fig 9.

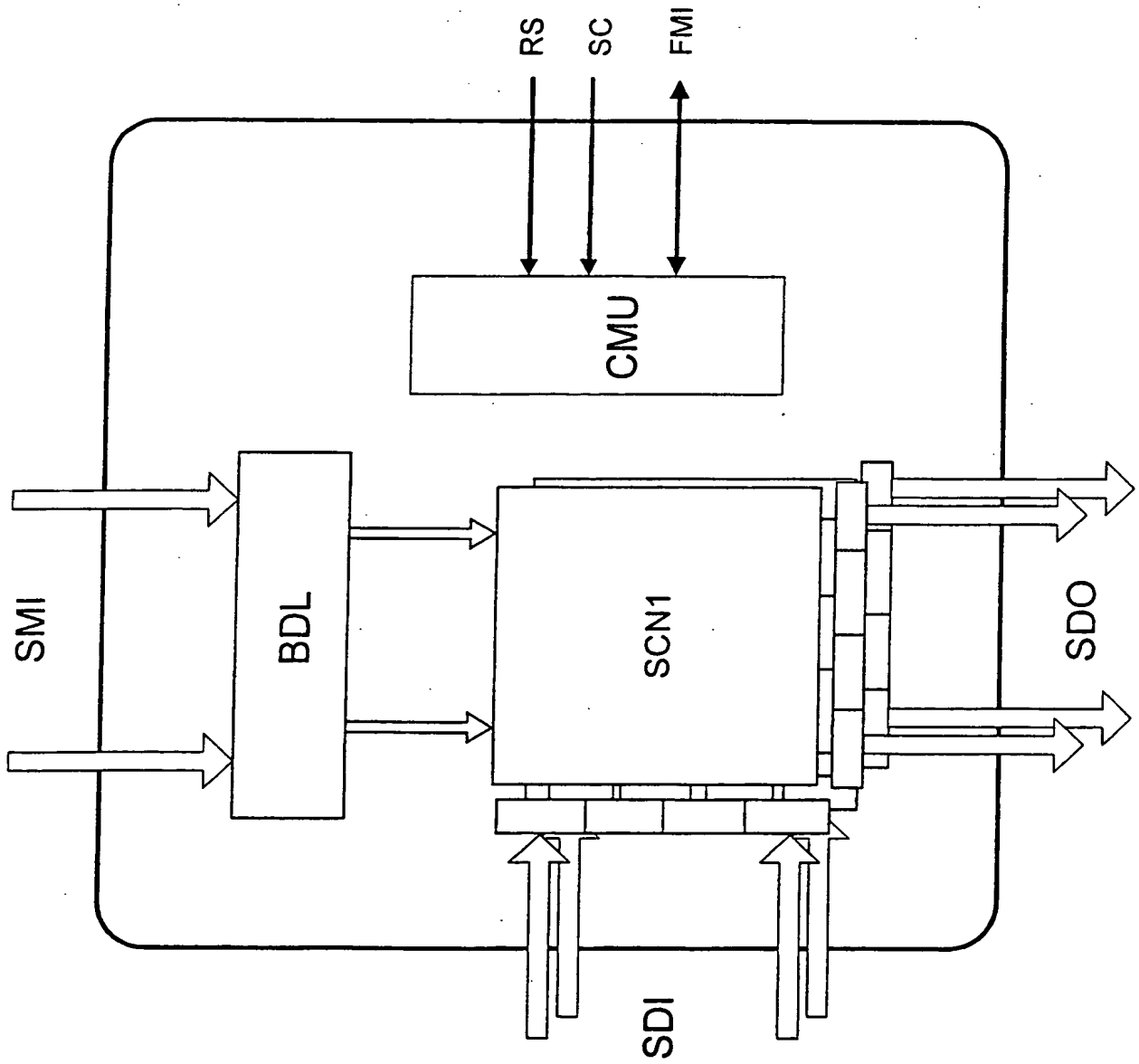


Fig 10.

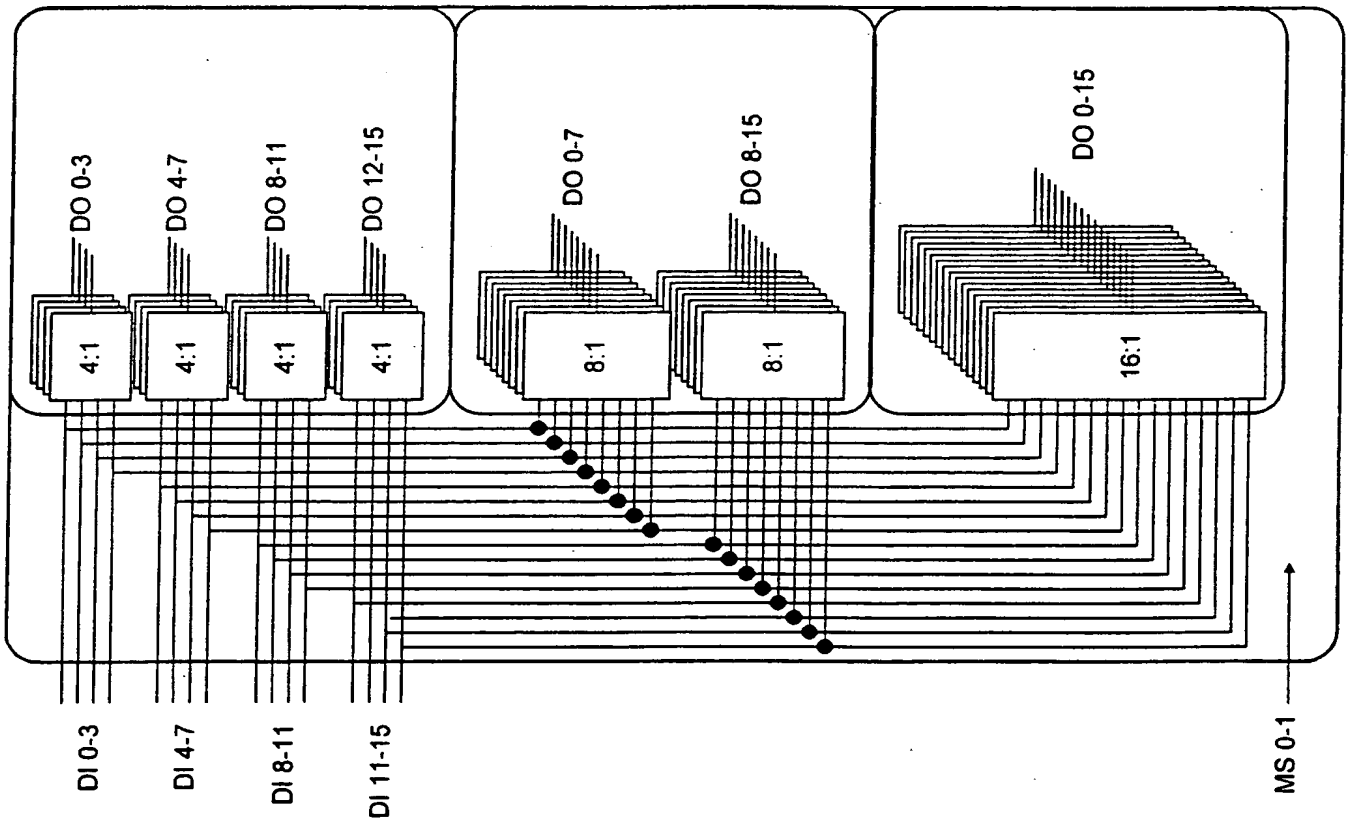




Fig 11.

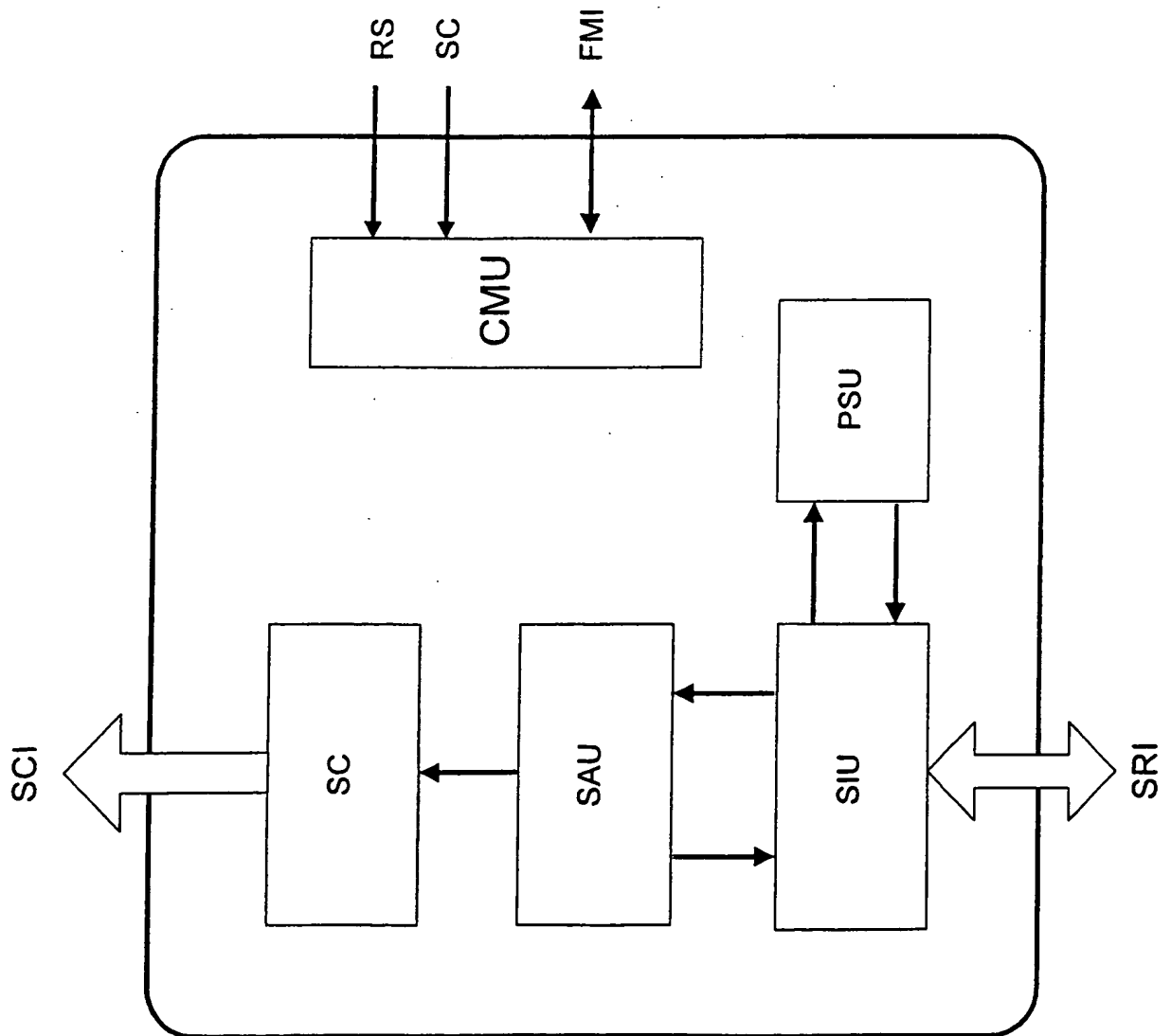
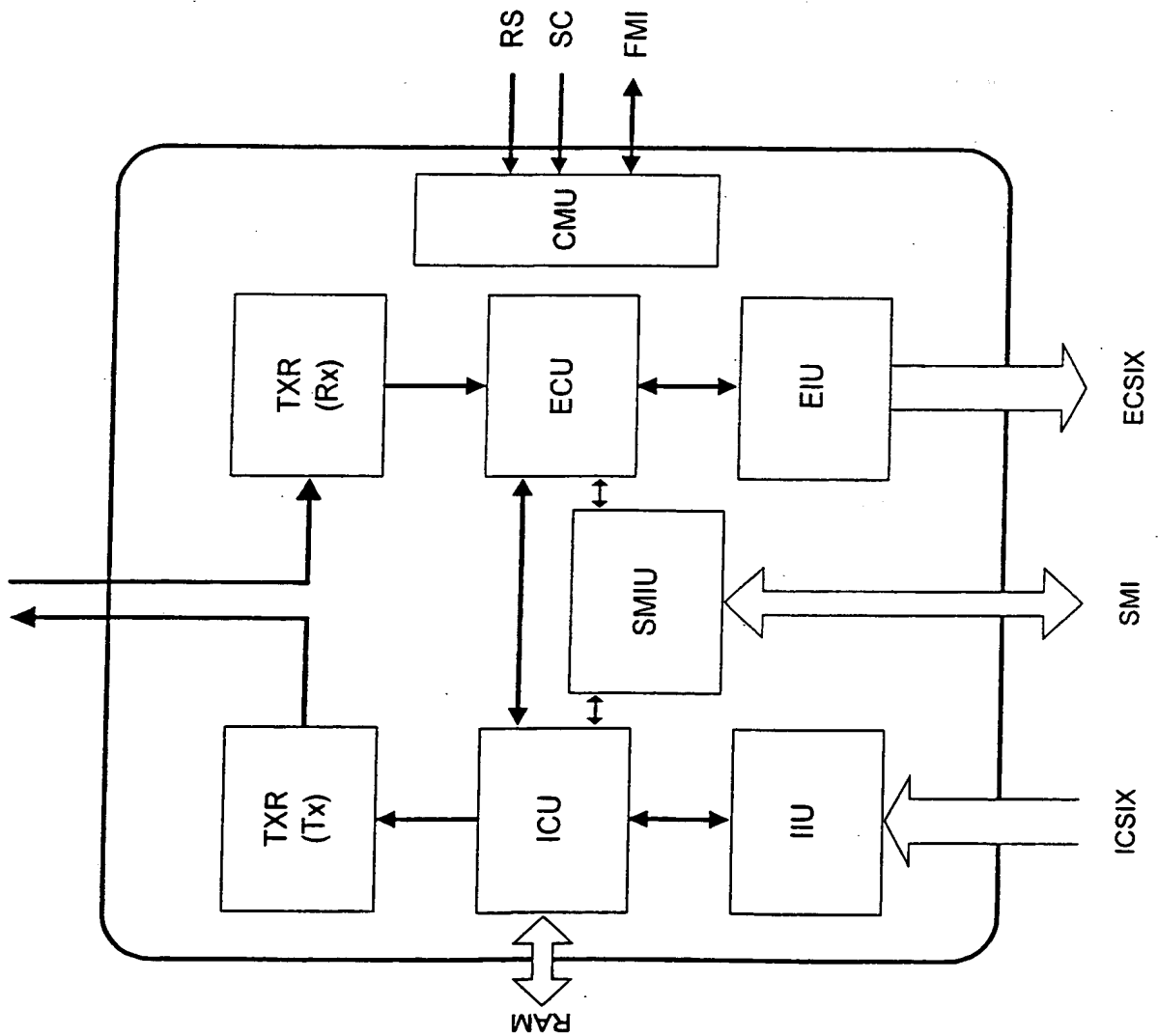


Fig 12.



Queue Structure

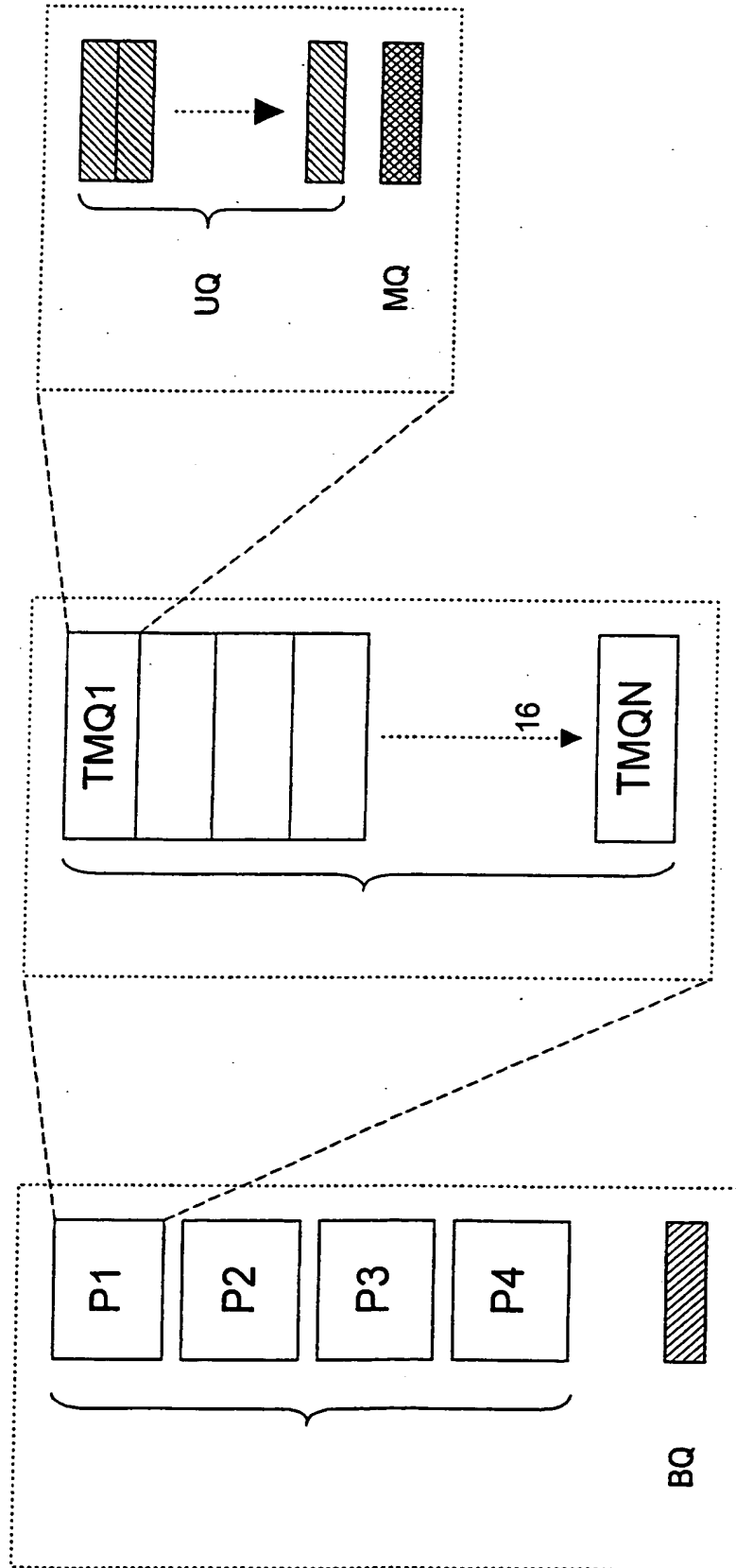


Fig 13.

# INTERNATIONAL SEARCH REPORT

International Application No

PCT/GB 99/03748

**A. CLASSIFICATION OF SUBJECT MATTER**  
 IPC 7 H04L12/56 H04L12/64 H04Q11/04

According to International Patent Classification (IPC) or to both national classification and IPC

**B. FIELDS SEARCHED**

Minimum documentation searched (classification system followed by classification symbols)  
 IPC 7 H04L H04Q

Documentation searched other than minimum documentation to the extent that such documents are included in the fields searched

Electronic data base consulted during the international search (name of data base and, where practical, search terms used)

**C. DOCUMENTS CONSIDERED TO BE RELEVANT**

Category *	Citation of document, with indication, where appropriate, of the relevant passages	Relevant to claim No.
A	EP 0 849 916 A (IBM) 24 June 1998 (1998-06-24) abstract	1,5
A	---	
	MCKEOWN N ET AL: "TINY TERA: A PACKET SWITCH CORE" IEEE MICRO,US,IEEE INC. NEW YORK, vol. 17, no. 1, 1 January 1997 (1997-01-01), pages 26-33, XP000642693 ISSN: 0272-1732 page 27, left-hand column, line 1 -page 28, right-hand column, line 27 -----	1,5

Further documents are listed in the continuation of box C.

Patent family members are listed in annex.

\* Special categories of cited documents :

- "A" document defining the general state of the art which is not considered to be of particular relevance
- "E" earlier document but published on or after the international filing date
- "L" document which may throw doubts on priority claim(s) or which is cited to establish the publication date of another citation or other special reason (as specified)
- "O" document referring to an oral disclosure, use, exhibition or other means
- "P" document published prior to the international filing date but later than the priority date claimed

- "T" later document published after the international filing date or priority date and not in conflict with the application but cited to understand the principle or theory underlying the invention
- "X" document of particular relevance; the claimed invention cannot be considered novel or cannot be considered to involve an inventive step when the document is taken alone
- "Y" document of particular relevance; the claimed invention cannot be considered to involve an inventive step when the document is combined with one or more other such documents, such combination being obvious to a person skilled in the art.
- "&" document member of the same patent family

Date of the actual completion of the international search

17 February 2000

Date of mailing of the international search report

25/02/2000

Name and mailing address of the ISA

European Patent Office, P.B. 5818 Patentlaan 2  
 NL - 2280 HV Rijswijk  
 Tel. (+31-70) 340-2040, Tx. 31 651 epo nl,  
 Fax: (+31-70) 340-3016

Authorized officer

Dhondt, E

# INTERNATIONAL SEARCH REPORT

Information on patent family members

International Application No

PCT/GB 99/03748

Patent document cited in search report	Publication date	Patent family member(s)	Publication date
EP 0849916	A	24-06-1998	NONE